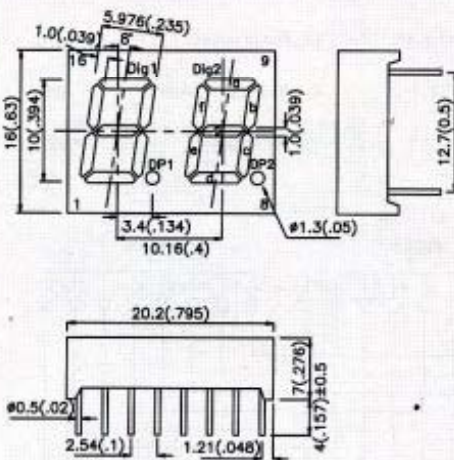
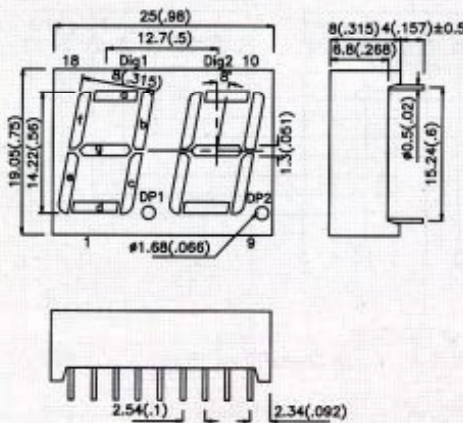
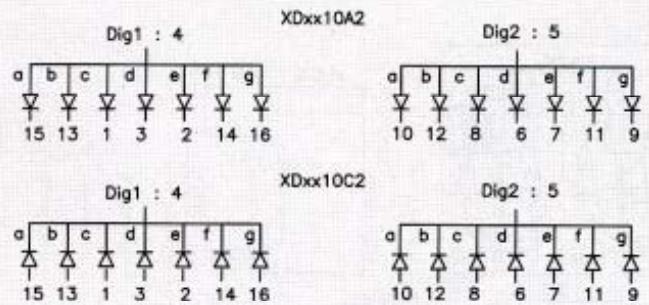


# Dual & Three Digit Numeric Displays

Shape / Package Dimension	Part No.		Die Material (Emitted Color)	Peak Wave Length (nm)	Intensity (ucd) If=10mA	
	Common Anode	Common Cathode			Min	Typ



XDUR10A2	XDUR10C2	GaAsP/GaP(Red)	627	1200	4690
XDMR10A2	XDMR10C2	GaAlAs(Red)	660	4700	17990
XDUY10A2	XDUY10C2	GaAsP/GaP(Yellow)	590	1200	4690
XDUG10A2	XDUG10C2	GaP(Green)	565	1900	7990



XDUR14A2	DUR14C2	GaAsP/GaP(Red)	627	1900	7990
XDMR14A2	<b>DMR14C2</b>	GaAlAs(Red)	660	8000	27490
XDUY14A2	DUY14C2	GaAsP/GaP(Yellow)	590	1200	4690
XDUG14A2	DUG14C2	GaP(Green)	565	1900	10490
XDVG14A2	DVG14C2	InGaAlP(Green)	574	8000	34990
XDBBA14A2	DBBA14C2	InGaN(Blue)	468	8000	17990

